

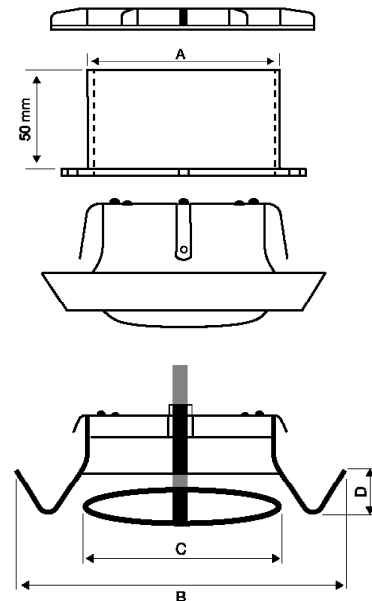
**General description**

Supply and exhaust plastic air valve.

- Adjustable inner core
- Supplied with mounting frame and clamping ring
- Material : Polypropylene
- Colour : white, RAL 9010
- Available diameters: 100 - 200 mm

**Technical specification**

	A (mm)	B (mm)	C (mm)	D (mm)
<b>PVFR 100</b>	99	149	89	20
<b>PVFR 125</b>	124	165	109	20
<b>PVFR 150</b>	148	185	130	20
<b>PVFR 160</b>	158	195	130	20
<b>PVFR 200</b>	199	230	177	20



**Sound attenuation and airflow characteristics**

	Airflow (m3/h)	Airflow (l/s)	Opening (mm)	Delta Pt (Pa)	dBA
<b>PVFR 100</b>	54	15	15	25	25
	72	20	18	40	30
	108	30	20	80	38
<b>PVFR 125</b>	72	20	9	58	38
	108	30	17	68	35
	144	40	23	70	35
<b>PVFR 150 / 160</b>	108	30	10	70	40
	144	40	18	68	35
	180	50	25	70	33
<b>PVFR 200</b>	108	30	17	60	38
	144	40	22	68	35
	180	50	25	72	35

Information contained herein is based on careful tests and experience. It reflects our knowledge and is for guidance purpose only. It is given in good faith and user should ensure that the product is fit for purpose before any application. The quoted values are average and should not be taken as maximum or minimum values for specific purposes. Manufacturer and distributor are not responsible for any non-recommended use or consequential damage.